

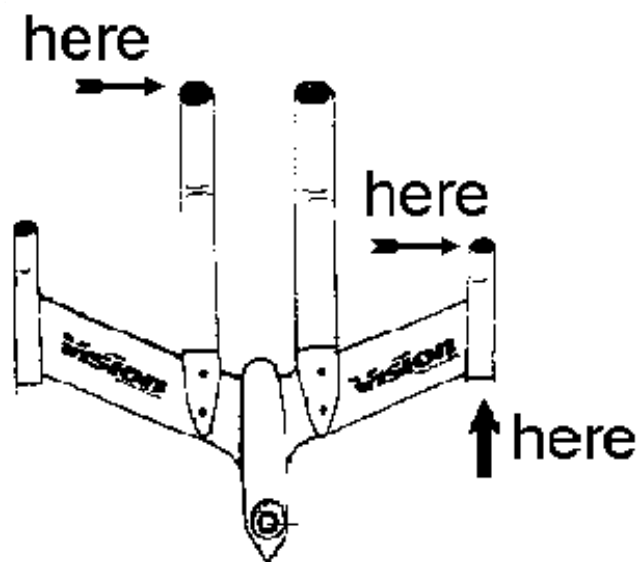


# WARNING



ALL HANDLEBAR ENDS MUST BE  
**SOLIDLY PLUGGED**

TAPE ALONE IS INSUFFICIENT



YOU WILL BE **DISQUALIFIED** FROM  
THE RACE IF YOUR BAR ENDS ARE  
NOT **SOLIDLY PLUGGED!**

*USAT Competitive Rules, 5.11i*